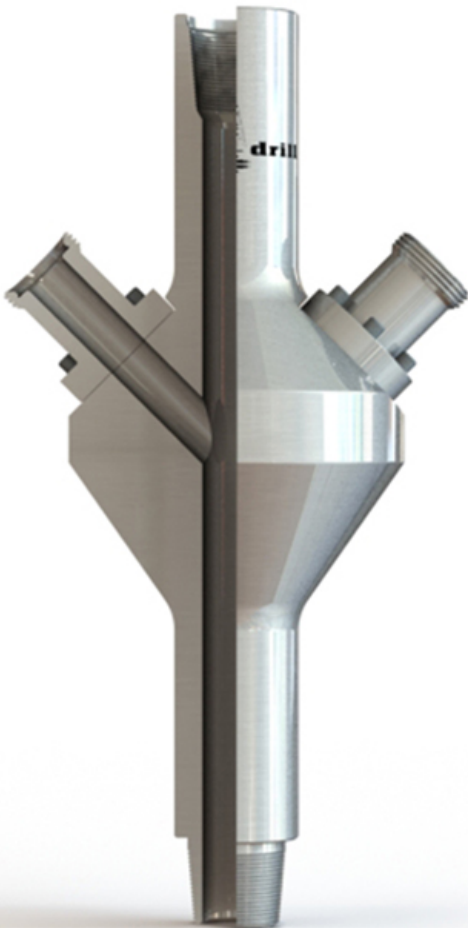




Dual Angled Flanged Side Entry Sub

DAFSES

Also available as a single entry sub (AFSES)

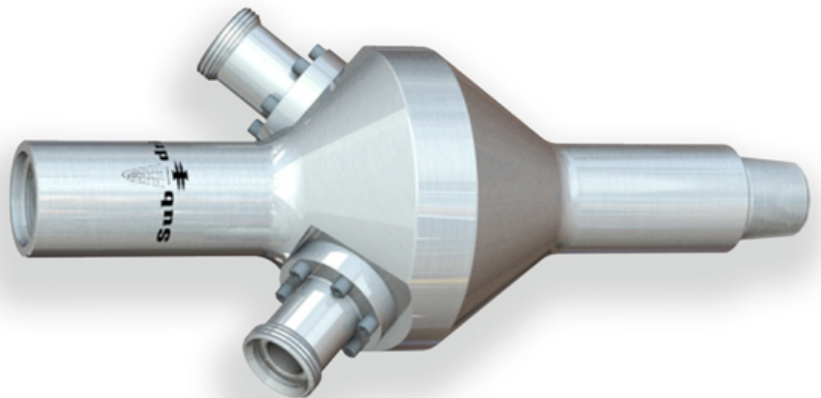


The DAFSES was developed from existing proven designs as a multi-purpose tool that can be used in a number of drilling operations, including but not limited to:

- > Wireline / Logging tool entry
- > Remote Control Ball or Dart drop via Air Actuated Valves to activate a Downhole Tool
- > Frac Pumping Y and Frac Pumping Head
- > Surface Ball or Dart Drop Sub
- > Introducing Mud Additives

Benefits

- > The flanged side entry connection can be replaced easily if damaged
- > Available with working pressures up to 15,000psi
- > Compact flange design
- > Large ID versions available
- > Available with all types of rotary shoulder connections including Proprietary connections, VAM, NOV Grant Prideco, Tenaris etc.
- > Finite Element Analysis carried out to ensure reliability and good service life
- > Also available as a single entry sub (AFSES)



Sub-drill

Endeavour Drive
Arnhall Business Park
Westhill
Aberdeenshire
AB32 6UF
Scotland, UK

Tel: +44 (0)1224 724 600
Fax: +44 (0)1224 744 499
E-mail: sales@subdrill.co.uk
sub-drill.com

